

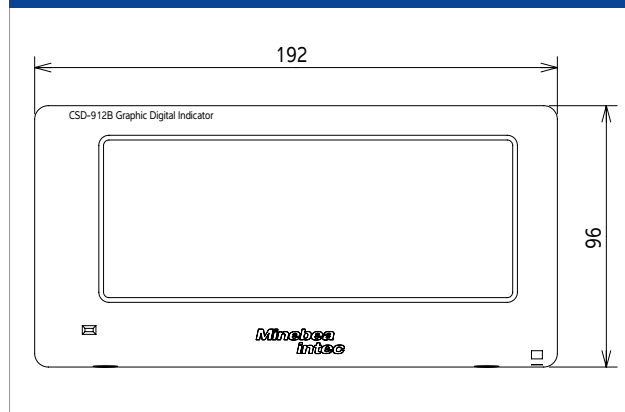
Technical specifications

Weight controllers CSD-912-07-76 and CSD-918-07-76

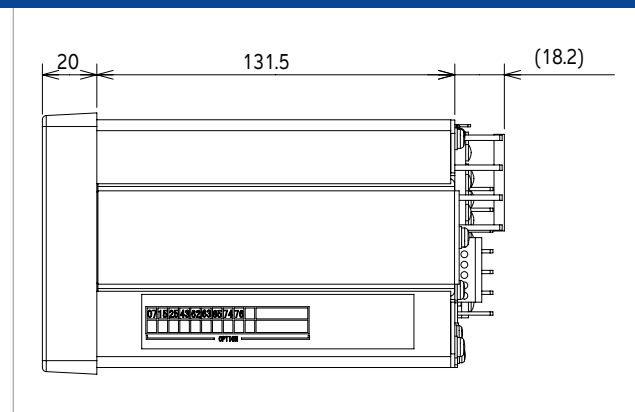
Parameters	Description
Housing	– Dimensions: 192 × 96 × 132 mm – Material: Aluminium
Supply voltage	100 V to 240 V _{AC} , 50/60Hz
Power consumption	30 VA with options
Display	– Wide viewing angle 6.2 inch TFT color LCD unit – Elements 640 × 240 dots (7 segments) – Digit size 22 mm – Touch display – Weighing condition is displayed in waveform
Status display	– Stable, Pre. Tare, Tare, Gross, Net, CZ, Hold, Error, Flow, Over, Under etc. – Dimensions can be set: g, kg, t, lb, N, kN or no dimension – Decimal point can be set
Control outputs	Quantity: 11, photo-coupler isolated, max. 35 V _{DC} , max. 40 mA
Control inputs	– Quantity: 11, photo-coupler isolated – Functions: Zero, Net/Gross, Tare etc.
Load cell connection	All strain gauge load cells; 6 or 4 wire connection possible
Load cell supply	12 V _{DC} ± 0.3 V (140 mA)
Load impedance	Up to 4 × 350 Ω
Mesuring principles	– Delta-Sigma converter – A/D sampling 200 times/s (changeable to 1000 times/s, 100 times/s, 50 times/s, 20 times/s, 10 times/s)
Sensitivity (internal)	Usable resolution 0.3 μV/d
Input range	-3.1 mV/V bis 3.1 mV/V
Linearity	0.01% FS
Temperature effect	– Zero point ± 0.1 μV/°C – Tk _{span} ± 0.0008% FS/K
Digital filter for load cell connection	Approx. 4 Hz (Changeable to 2 Hz, 6 Hz, 8 Hz, 10 Hz or 100 Hz)
Interfaces	– RS-485 (up to 38k4 baud) – 4...20 mA
Ambient conditions temperature	– Industrial 0°C to +40°C – Storage -20°C to +60°C
Protection class	Front panel IP65
Weight	Net: 1.6 kg (without options)
Certificates	CE, RoHS

Technical diagrams

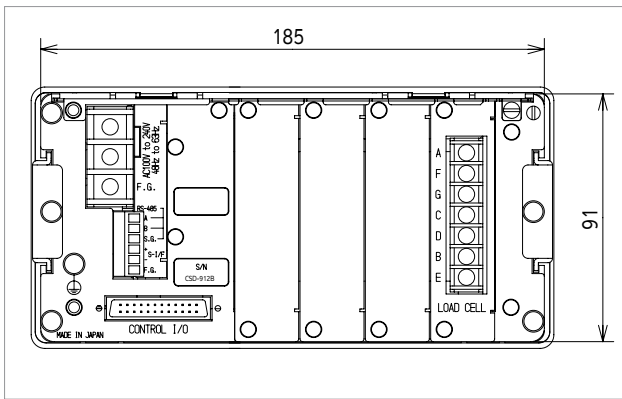
Weight controller CSD-912-07-76



Front view

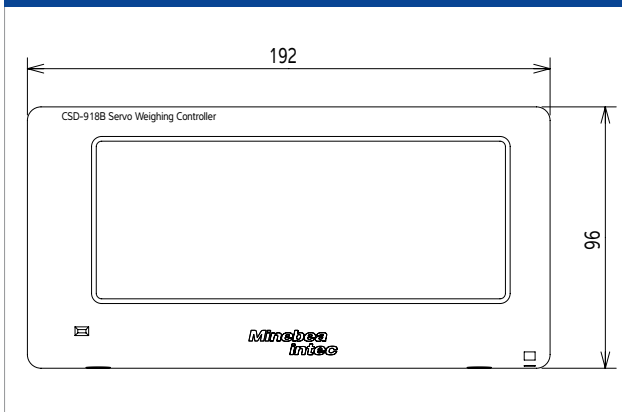


Side view

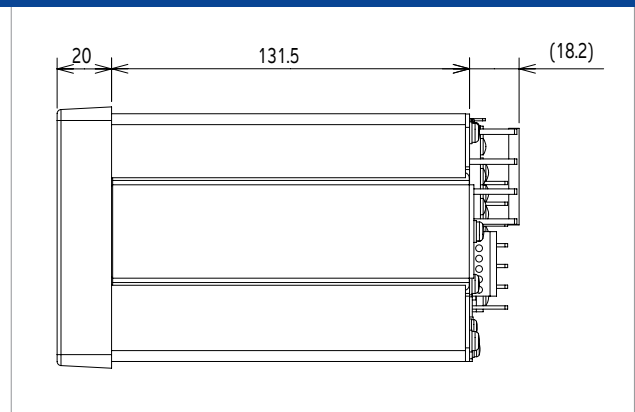


Back view

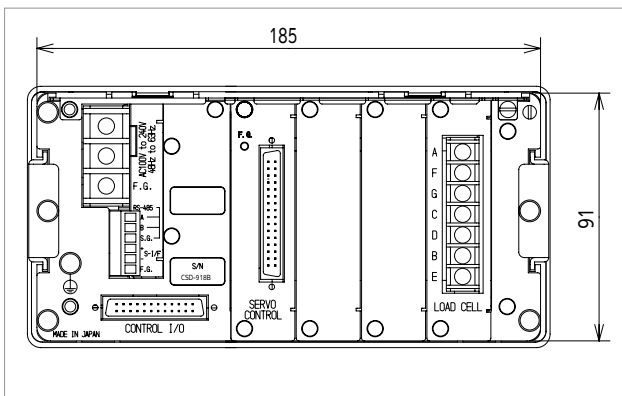
Weight controller CSD-918-07-76 EX



Front view



Side view



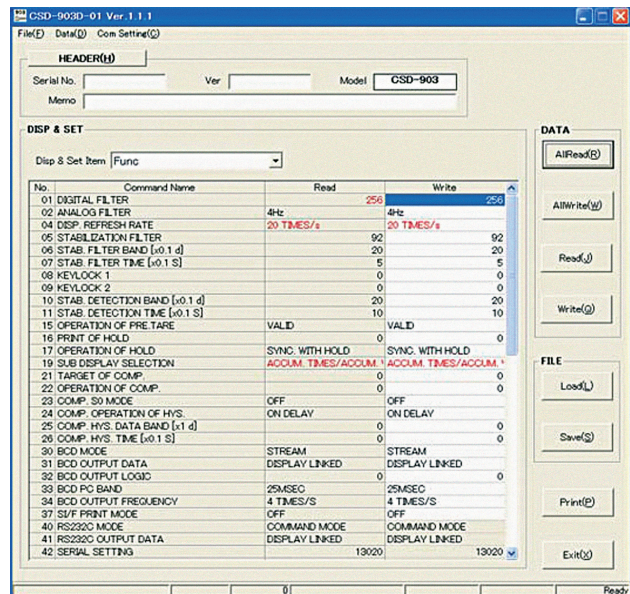
Back view

Options

Weight controllers CSD-912-07-76 and CSD-918-07-76

EzCTS Software for communication with weighing electronics CSD-892, CSD-903, CSD-912 & CSD-918

- Read/Save set parameter file**
 Parameter set can be saved and read in a .csv-file for easier project management and data safety. With this function the settings of several transmitters, indicators and controllers can be standardized or reproduced.
- Calibration by communication**
 After the calibration values have been set, they are transmitted to the weighing transmitter.
- Printable parameter set**
 Among other things, the parameter set can be printed for documentation purposes.



Enhanced features CSD-918-07-76

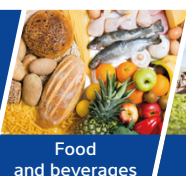
- The weight controller CSD-918-07-76 can measure the constant amount of feeding and discharging by controlling the gate with the combination of servo amplifier and servo motor.
- Cycle times can be shortened more than the constant amount measurement of three steps type by full flow, medium flow and dribble flow of the past.

Ordering information

Weight controllers CSD-912-07-76 and CSD-918-07-76

Type	Order number
CSD-912-07-76 weight controller	9409 109 12001
CSD-918-07-76 weight controller	9409 109 18001
EzCTS Software	9409 390 01001

The products and solutions presented in this data sheet make major contributions in the following sectors:



The technical data given serves as a product description only and should not be understood as guaranteed properties in the legal sense.

Specifications subject to change without notice.
Rev. 04/2019

Minebea Intec GmbH
 Meiendorfer Straße 205 A
 22145 Hamburg, Germany
 Phone +49.40.67960.303
 sales.hh@minebea-intec.com
 www.minebea-intec.com