



Sartolab[®] P20 Pressure Filter Units

Compact Design for the Filtration of Large Volumes

Simplifying Progress

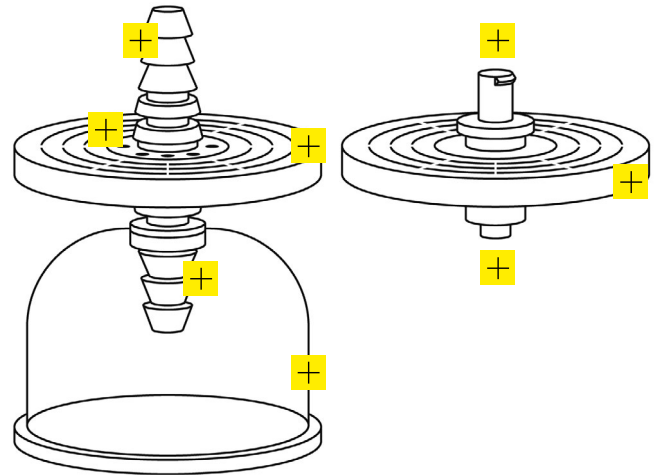
SARTORIUS

Sartolab® P20

Ready-to-use pressure filter units for the clarification and sterile filtration of media and aqueous solutions in batches from 100 mL to 5 L.

- Highest flow rates with a large surface of filtration (20 cm²)
- No loss of protein with a low binding 0.2 µm polyethersulfone (PES) membrane
- Low hold-up volume due to an optimized membrane support
- Several inlet & outlet connectors combinations (hose barb or Luer-Lock)
- With or without automatic PTFE venting holes
- With or without filling bell

Types available (click to expand): [+](#)



E-shop
Sartolab® P20



Datasheet
Sartolab® P20



User Manual
Sartolab® P20

Sartolab[®] P20

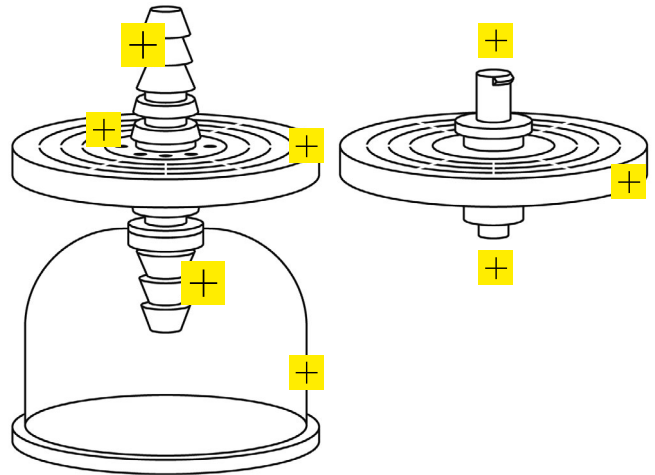
Types Available

Item Number	Filter Material	Inlet	Outlet	PTFE Venting	Filling Bell	Sterilization (EO)	Qty/ Pack
18064-----D	0.2 µm PES	Female Luer-Lock	Male Luer-Lock	yes	no	yes	10
18075-----D	0.2 µm PES	Female Luer-Lock	Hose barb	no	no	yes	10
18075-----UPN	0.2 µm PES	Female Luer-Lock	Hose barb	no	no	no	100
18089-----D	0.2 µm PES	Hose barb	Hose barb	yes	yes	yes	10
18090-----D	0.2 µm PES	Female Luer-Lock	Male Luer-Lock	no	no	yes	10

Sartolab® P20

Hose Barb

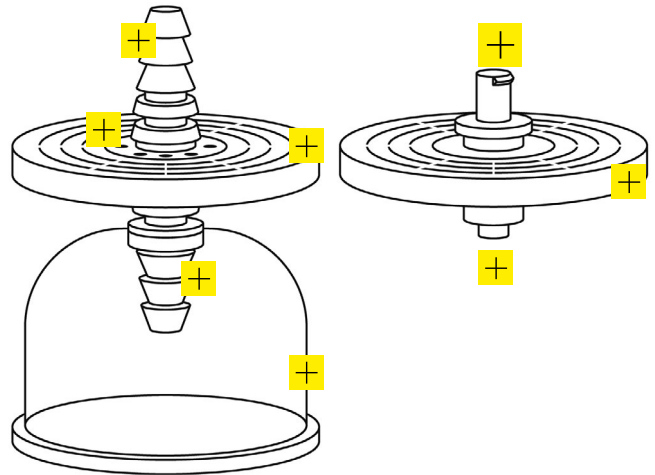
Compatible with tubing
with an internal diameter
of 6-12 mm



Sartolab® P20

Inlet: Female Luer-Lock

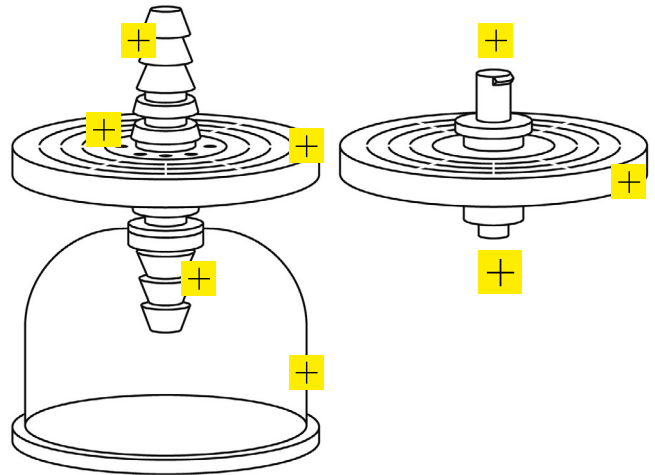
Compatible with Luer-Lock syringes and tubing with a male Luer-Lock connector



Sartolab® P20

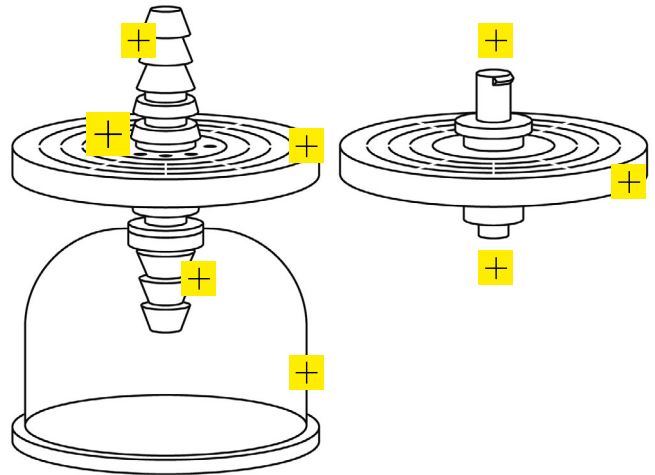
Outlet: Male Luer-Lock

Compatible with tubing
with a female Luer-Lock
connector



Sartolab® P20

Automatic Venting Holes
with a PTFE membrane



Sartolab[®] P20

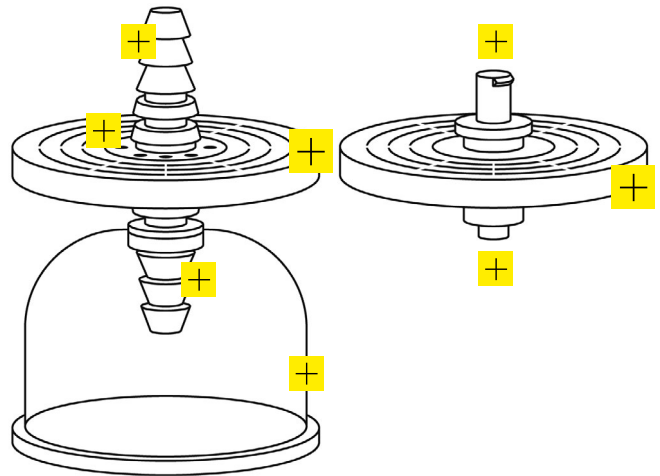
Membrane & Housing

Membrane

- Material: Polyethersulfone (PES)
- Pore size: 0.2 μm
- Effective filtration surface: 20 cm^2
- Filter diameter: 56 mm

Housing

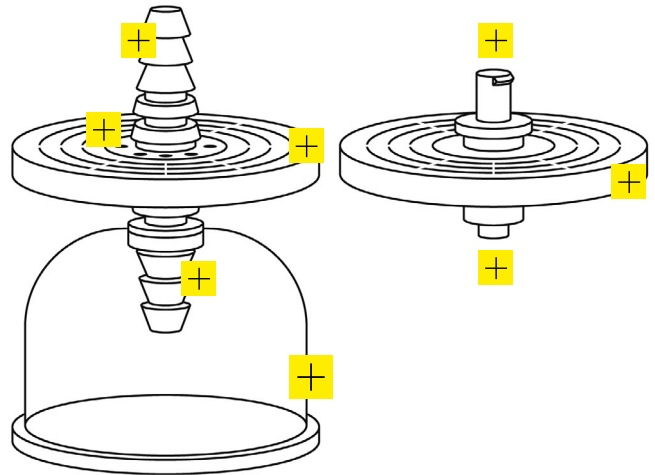
- Material: Polycarbonate
- Diameter: 61 mm



Sartolab® P20

Filling Bell with Lid

Used to protect the filtrate against external contamination

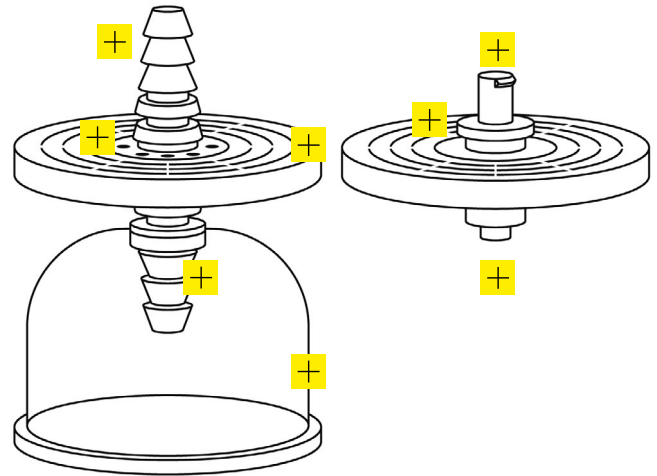


Sartolab® P20 Plus

Ready-to-use pressure filter units for the clarification and sterile filtration of media and aqueous solutions in batches from 100 mL to 10 L.

- Highest flow rates with a large surface of filtration (20 cm²)
- No loss of protein with a low binding 0.2 µm or 0.45 µm polyethersulfone (PES) membrane
- Depth filter as prefilter for highest throughput
- Low hold-up volume due to an optimized membrane support
- Several inlet & outlet connectors combinations (hose barb or Luer-Lock)
- With or without automatic PTFE venting holes
- With or without filling bell

Types available (click to expand): [+](#)



E-shop
Sartolab® P20



Datasheet
Sartolab® P20



User Manual
Sartolab® P20

Sartolab® P20 Plus

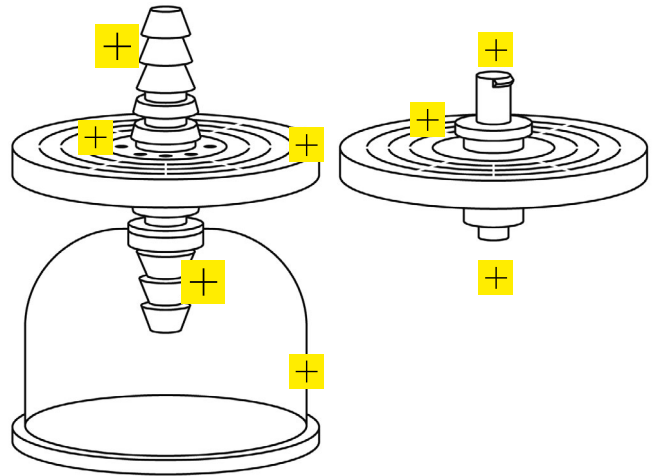
Types Available

Item Number	Filter Material	Inlet	Outlet	PTFE Venting	Filling Bell	Sterilization (EO)	Qty/ Pack
18068-----D	Quartz microfibers & 0.2 µm PES	Female Luer-Lock	Hose barb	yes	yes	yes	10
18076-----N	Quartz microfibers & 0.45 µm PES	Hose barb	Hose barb	no	no	no	100
18091-----D	Quartz microfibers & 0.2 µm PES	Hose barb	Hose barb	yes	yes	yes	10
18092-----D	Quartz microfibers & 0.2 µm PES	Female Luer-Lock	Male Luer-Lock	no	no	yes	10

Sartolab® P20 Plus

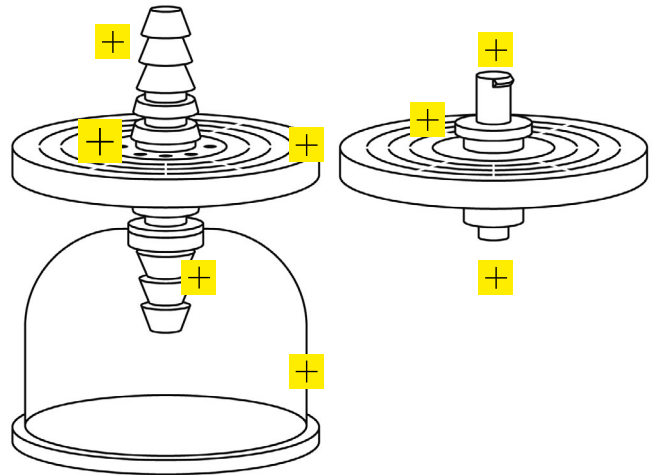
Hose Barb

Compatible with tubing
with an internal diameter
of 6-12 mm



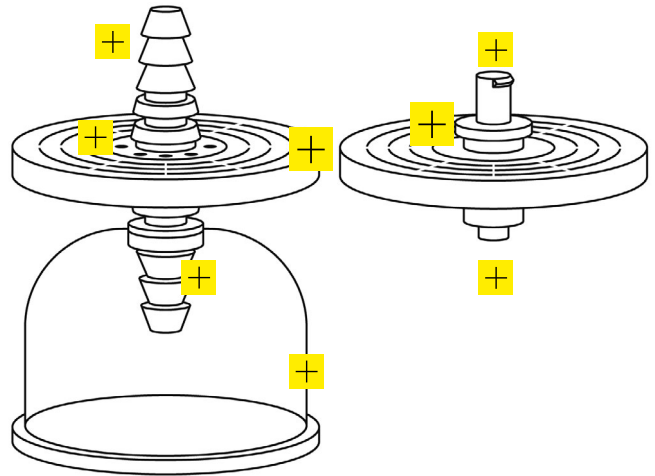
Sartolab® P20 Plus

Automatic Venting Holes
with a PTFE membrane



Sartolab® P20 Plus

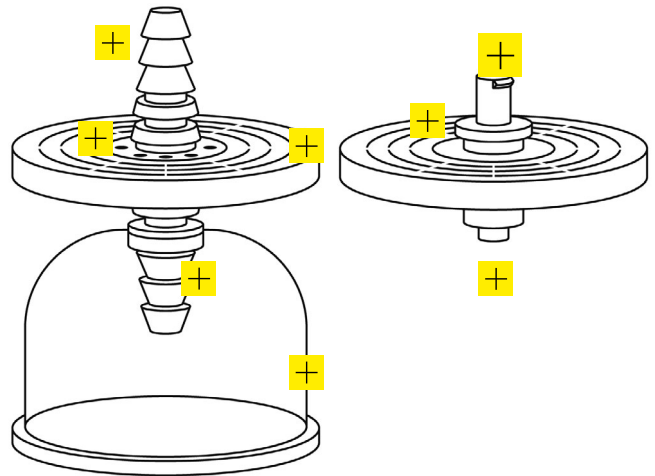
- Prefilter made of 100% binder-free high-purity quartz microfibers in combination with either a 0.2 µm PES membrane for sterile filtration or 0.45 µm PES membrane for clarification
- Effective filtration surface: 20 cm²
- Filter diameter: 56 mm
- Housing diameter: 61 mm
- Housing material: Polycarbonate



Sartolab® P20 Plus

Inlet: Female Luer-Lock

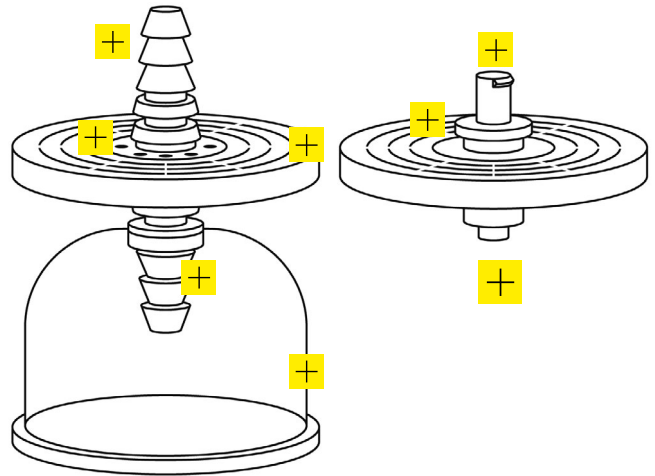
Compatible with Luer-Lock syringes and tubing with a male Luer-Lock connector



Sartolab® P20 Plus

Outlet: Male Luer-Lock

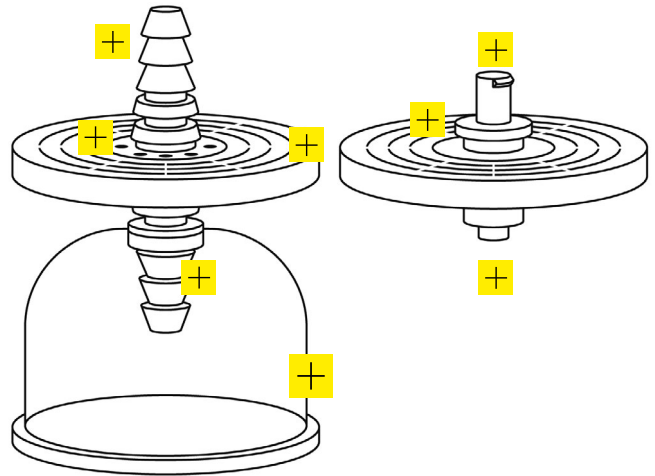
Compatible with tubing
with a female Luer-Lock
connector



Sartolab® P20 Plus

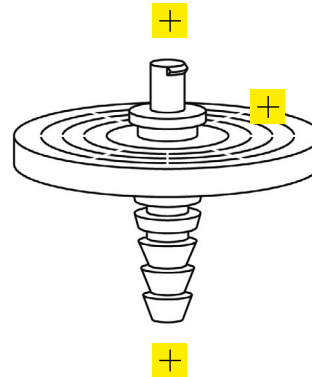
Filling Bell with Lid

Used to protect the filtrate against external contamination



Sartolab® P20 Prefilter

- Prefilter made of 100 % binder-free high-purity quartz microfibers
 - Highest flow rates with a large surface of filtration (20 cm²)
 - Low hold-up volume due to an optimized membrane support
 - 10 pieces per pack, non-sterile
- **Item Number: 18072-----D**



E-shop
Sartolab® P20



Datasheet
Sartolab® P20

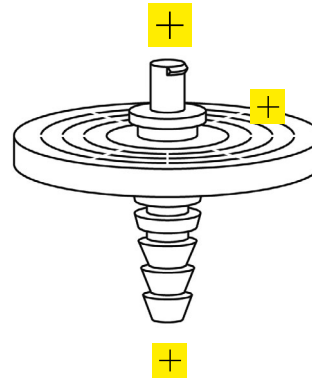


User Manual
Sartolab® P20

Sartolab® P20 Prefilter

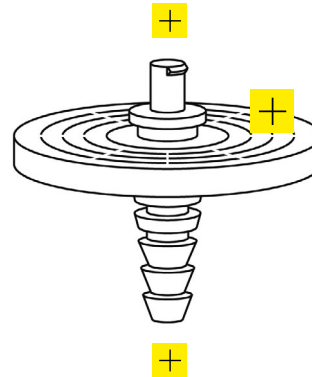
Inlet: Female Luer-Lock

Compatible with Luer-Lock syringes and tubing with a male Luer-Lock connector



Sartolab® P20 Prefilter

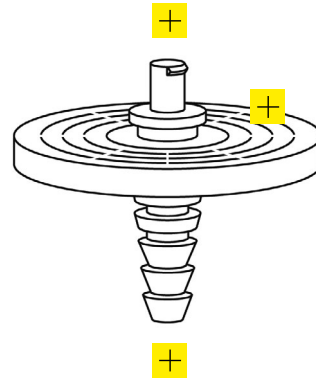
- Prefilter made of 100 % binder-free high-purity quartz microfibers
- Effective filtration surface: 20 cm²
- Filter diameter: 56 mm
- Housing diameter: 61 mm
- Housing material: Polycarbonate





Sartolab® P20 Prefilter

Outlet: Hose Barb

Compatible with tubing
with an internal diameter
of 6-12 mm



Accessories

Item Number	Description	
18099	Sartolab® Integrity Test Holder	
6988094	Tubing Set for Luer-Lock Connectors	



E-shop
Sartolab® P20



Datasheet
Sartolab® P20

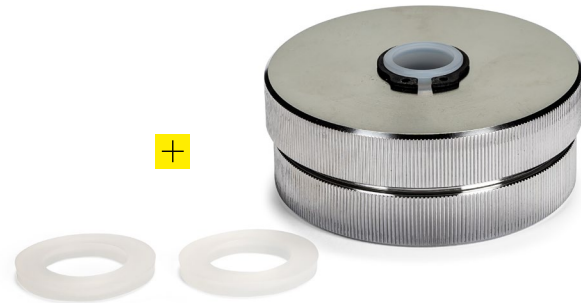


User Manual
Sartolab® P20

Sartolab® Integrity Test Holder

For integrity testing, a bubble point test can be performed on the Sartolab® P20 and Sartolab® P20 Plus after use

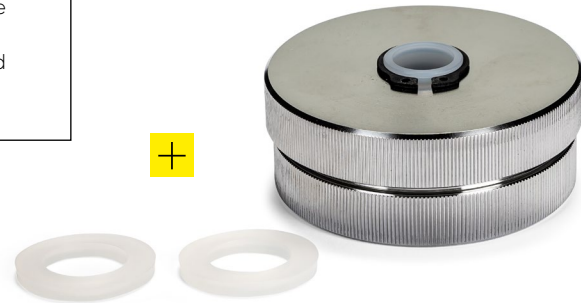
- If the filter has PTFE venting holes, use the integrity test holder to close the holes and enable a bubble point.
- The holder is not necessary for Sartolab® P20 and Sartolab® P20 Plus without automatic venting.
- **Item Number: 18099**



Sartolab® Integrity Test Holder

The silicone gasket seals the openings above the PTFE venting membrane

The integrity test holder is delivered with 2 extra silicone gaskets.



Tubing Set for Luer-Lock Connectors

Item number: 6988094

Set contains:

- Silicone tubing (Length: 2.5 m, internal diameter: 4 mm, thickness: 1.5 mm)
- Suction foot: a weight to keep the tubing into the liquid
- Male Luer-Lock connectors with a blue union nut (5 pieces in a reclosable bag)




Germany

Sartorius Lab Instruments GmbH & Co. KG
Otto-Brenner-Strasse 20
37079 Goettingen
Phone +49 551 308 0

USA

Sartorius Corporation
565 Johnson Avenue
Bohemia, NY 11716
Phone +1 631 254 4249
Toll-free +1 800 635 2906

 For further contacts, visit
www.sartorius.com