

## Classifying Module WK



### ! Benefits

- Weighing module with conveyor belt for stationary weighing and inspection processes
- Product weight: max. 7 kg
- Belt dimensions:  
300 × 240 mm  
400 × 300 mm
- Up to 27 objects per minute
- Weighs objects and displays results (RS-232 interface), classifies objects, features relay outputs
- Data memory for 100 products
- Optional: series production error detection

In-line quality assurance is gaining increasing importance, especially for medium-sized businesses. Until now the costs of automation were too high – it was too costly to integrate modules into processes individually and flexibly.

That is why Minebea Intec offers tailored solutions for individual requirements and applications at an unrivaled cost/performance ratio.

The classifying module WK is a cost-effective solution that makes in-process stationary or dynamic quality control possible.

## Advantages

The WK module inspects individual objects with an impressively high degree of measuring accuracy. All modules are designed for universal use and can be integrated into existing systems very flexibly. The modules feature a user-friendly, backlit display and are easy to operate, achieving reliable, fast, and accurate results. Clockwise and counterclockwise functions allow the sorting of objects as GOOD or BAD.

Objects can be fed into the classifying module WK with a simple chute, for example. The objects are automatically sorted into the customer's corresponding containers; GOOD objects are sent left and BAD objects are sent right. These directions can be changed if desired.

The fully/semi-automatic WK module and its sophisticated WK indicator for optimal industrial use is perfect for quality assurance. It can be integrated in the middle and/or at the end of a process chain..

## Functionality

- Belt with clockwise/counterclockwise function for automatic sorting as GOOD/BAD
- Sorting parameters entered freely on WK indicator
- Potential-free contact ready for supply

**For use in:** e.g., the plastics industry (directly on the spraying machine), electronics, and pharmaceutical industry

## Technical specifications

### Classifying Module WK

Parameter	Description
<b>Housing</b>	
Material	<ul style="list-style-type: none"><li>- Powder-coated steel tower housing</li><li>- Protection class IP65</li><li>- Complies with EU Directive 2002/95/EC (RoHS)</li></ul>
Display	<ul style="list-style-type: none"><li>- 14-segment display with application symbols</li><li>- Weight value: 20 mm, 7 digits</li></ul>
Keypad	17-key display
Data interface	RS-232
Optional interfaces via ext. modules	<ul style="list-style-type: none"><li>- RS-485/422</li><li>- Profibus DP</li><li>- Ethernet TCP/IP</li></ul>
<b>Scale</b>	
Material	<ul style="list-style-type: none"><li>- Galvanized steel</li><li>- Austenitic stainless steel 1.4301</li></ul>
Weighing system	Single-point C3 weigh cell
Other features	<ul style="list-style-type: none"><li>- 4 × height-adjustable feet</li><li>- Leveling device</li><li>- Overload protection</li></ul>
Operating temperature range	-10 °C to 40 °C
Resolution (not verifiable)	1 × 35,000 d
Limitation of emissions	Complies with EN 61326-6-9:2006, industrial environments
Defined immunity to interference	Complies with EN 61326-6-9:2006, industrial environments

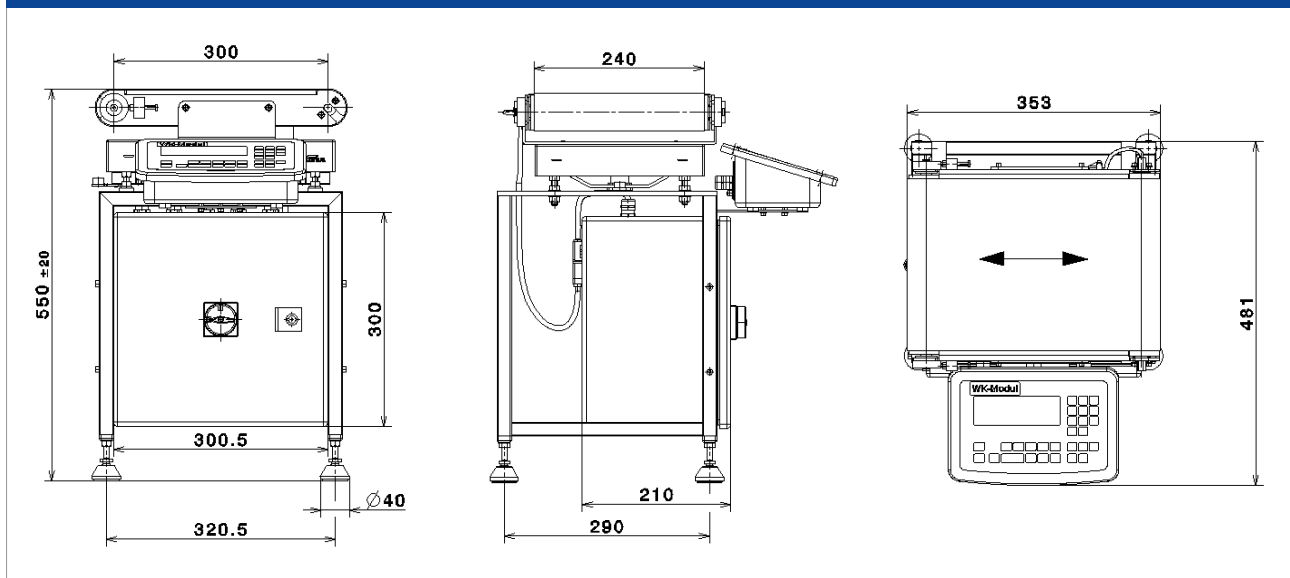
## Conveyor Belt

Parameter	DC	ED
Conveyor belt width	240 mm	300 mm
Conveyor belt length	300 mm	400 mm
Transport speed	22 m/min	22 m/min
Accuracy	±0,4 g	±0,4 g
Weighing capacity	5 g – 7 kg	5 g – 7 kg
Max. weight bearing capacity	10 kg	10 kg
Total weight	27 kg	27 kg
Throughput/objects per min.*	< 27	< 20
Connected voltage	230 V <sub>AC</sub>	230 V <sub>AC</sub>
Control voltage	24 V <sub>DC</sub>	24 V <sub>DC</sub>
Power consumption	70 V <sub>A</sub>	70 V <sub>A</sub>
Dimensions	Length: 353 mm	Length: 453 mm
	Width: 481 mm	Width: 551 mm
	Height: 550 mm ± 20	Height: 550 mm ± 20
Max. object length	300 mm	400 mm
Max. object width	240 mm	300 mm
Current load	1 A (max.)	1 A (max.)
Continuous sound pressure level	72 db (A) (max.)	72 db (A) (max.)

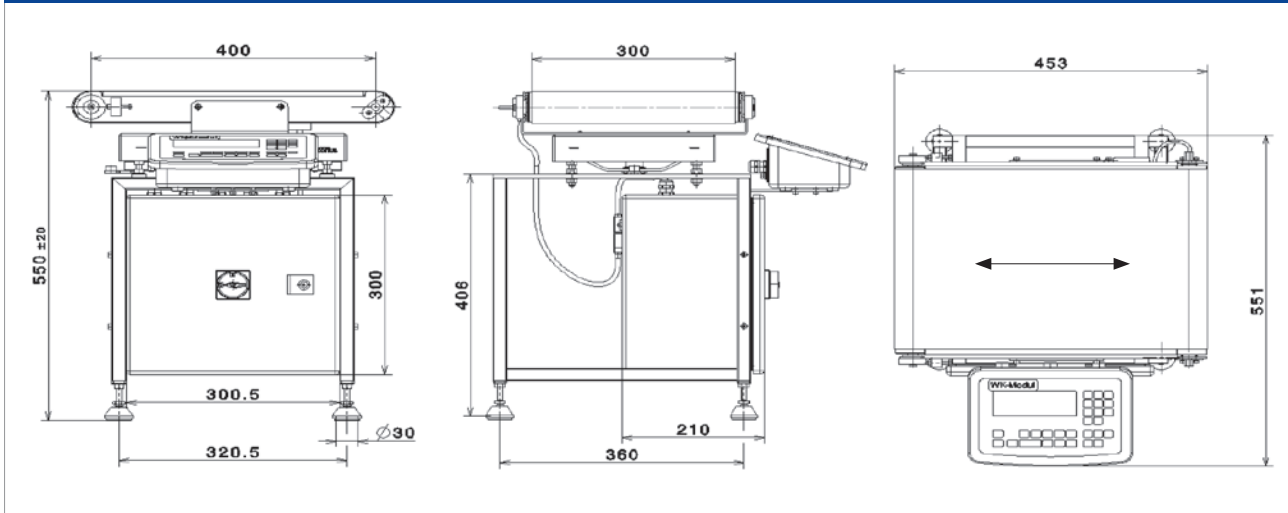
The technical data specified above only serve to describe the product and should not be construed as warranted characteristics in the legal sense.

## Technical diagrams

### Classifying Module WK DCE-I000Q



## Classifying Module WK EDE-I000Q



All dimensions in mm

## Accessories

### Classifying Module WK

Parameter	Description	Order reference
Printer	Data printer with date, time, and statistics program	YDP20-OCE
Mechanical accessories	Dust covers for display unit (2 pieces)	YDC01SW
Cables	PC connection cable, 1.5 m	7357314
	Printer connection cable, 3 m	YCC01-01CISLM3
Electrical accessories	Data connection cable for PC, 25-pin DSUB (5 m)	YCC01-03ISM5
	Data connection cable for PC, 9-pin DSUB (5 m)	YCC01-09ISM5
	Round data connector (male) for separate assembly of data interface cable	69QC0010

The products and solutions presented in this data sheet make major contributions in the following sectors:



The technical data given serves as a product description only and should not be understood as guaranteed properties in the legal sense.

Specifications subject to change without notice.  
Rev. 08/2018

Minebea Intec Aachen GmbH & Co. KG  
Am Gut Wolf 11  
52070 Aachen, Germany  
Phone +49.241.1827.0  
sales.ac@minebea-intec.com  
www.minebea-intec.com