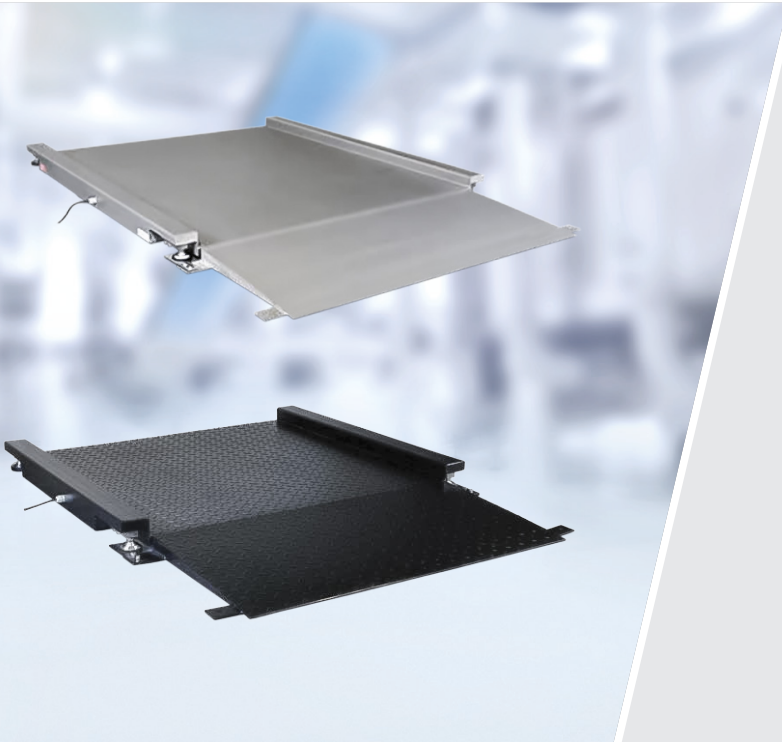


Flatbed scale IFE

Robust low-profile platforms for basic weighing applications



! Benefits

- Low overall height and integrated ramp - easy access and no pit frame installation necessary.
- Different materials, capacities and dimensions available.
- Suitable for legal for trade applications.

The IFE Flatbed scales are robust and inexpensive weighing solutions that are perfectly suited for weighing with carts or pallet jack. The platforms are available in painted steel with tread plate or in stainless steel AISI 304.

Affordable solution that has all relevant features of a flatbed scale

- ! The ultra-flat profile of the platform significantly simplifies loading and unloading of the scale.
- ! The low weighbridge height enables weighing without costly pit frame installations.
- ! The painted tread plate provides better traction and minimizes the risk of slipping or sliding.
- ! The robust painted steel or stainless steel construction ensures long-term use even in harsh industrial environments.

Technical specifications

General technical data for the flatbed scale IFES4 / IFEP4



IFES4 stainless steel



IFEP4 painted steel

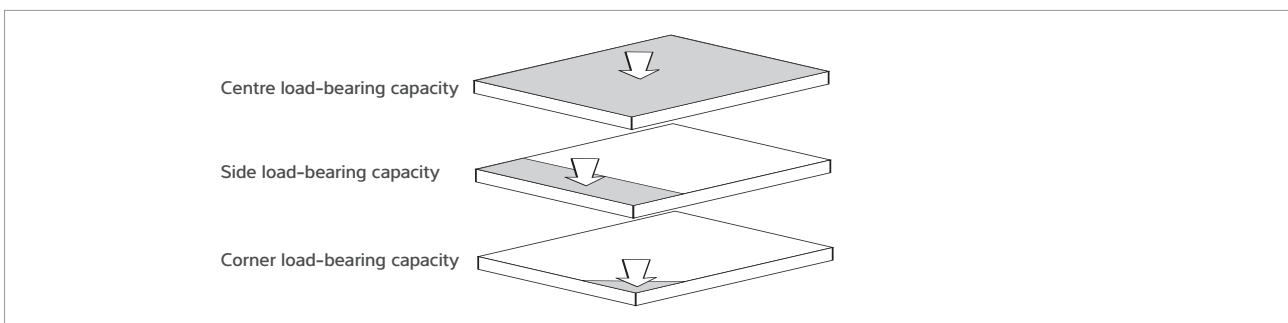
Parameters	Description
Material	IFES4: AISI 304 stainless steel sandblasted finish IFEP4: painted steel
IP protection rating	IFEP (painted version): IP66 IFES (stainless steel version): IP67
Platform cable length	5 m
Operating temperature range accuracy class III	-10 ... +40 °C
Operating temperature range not verified	-20 ... +60 °C
Storage temperature range	-30 ... +75 °C
Weighing system	Four C3 load cells
Resolution	Non-verifiable up to 15,000 d verifiable 3.000e
Miscellaneous	Four height adjustable feet, levelling equipment, overload protection

Weighing platform IFES...

Order no.	Capacity	Readability in g -BCE (3,000e)	Platform dimensions A x B in mm	Cable platform
IFES4-300II-BCE	300 kg	100	800 x 800	5 m
IFES4-600II-BCE	600 kg	200	800 x 800	5 m
IFES4-300LL-BCE	300 kg	100	1,000 x 1,000	5 m
IFES4-600LL-BCE	600 kg	200	1,000 x 1,000	5 m
IFES4-1500LL-BCE	1,500 kg	500	1,000 x 1,000	5 m
IFES4-600NN-BCE	600 kg	200	1,250 x 1,250	5 m
IFES4-1500NN-BCE	1,500 kg	500	1,250 x 1,250	5 m
IFES4-1500RN-BCE	1,500 kg	500	1,500 x 1,250	5 m
IFES4-1500RR-BCE	1,500 kg	500	1,500 x 1,500	5 m

Weighing platform IFEP...

Order no.	Capacity	Readability in g -BCE (3,000e)	Platform dimensions A x B in mm	Cable platform
IFEP4-300II-BCE	300 kg	100	800 x 800	5 m
IFEP4-600II-BCE	600 kg	200	800 x 800	5 m
IFEP4-300LL-BCE	300 kg	100	1,000 x 1,000	5 m
IFEP4-600LL-BCE	600 kg	200	1,000 x 1,000	5 m
IFEP4-1500LL-BCE	1,500 kg	500	1,000 x 1,000	5 m
IFEP4-600NN-BCE	600 kg	200	1,250 x 1,250	5 m
IFEP4-1500NN-BCE	1,500 kg	500	1,250 x 1,250	5 m
IFEP4-1500RN-BCE	1,500 kg	500	1,500 x 1,250	5 m
IFEP4-1500RR-BCE	1,500 kg	500	1,500 x 1,500	5 m



Operating limits – Load capacity in accordance with DIN 1925/normal load 2

Weighing range in kg	Centre load-bearing capacity in kg	Side load-bearing capacity	Corner load-bearing capacity
150	300	200	100
300	600	300	150
600	1,200	600	300
1,500	3,000	1,500	750

Weight and packaging data IFES...

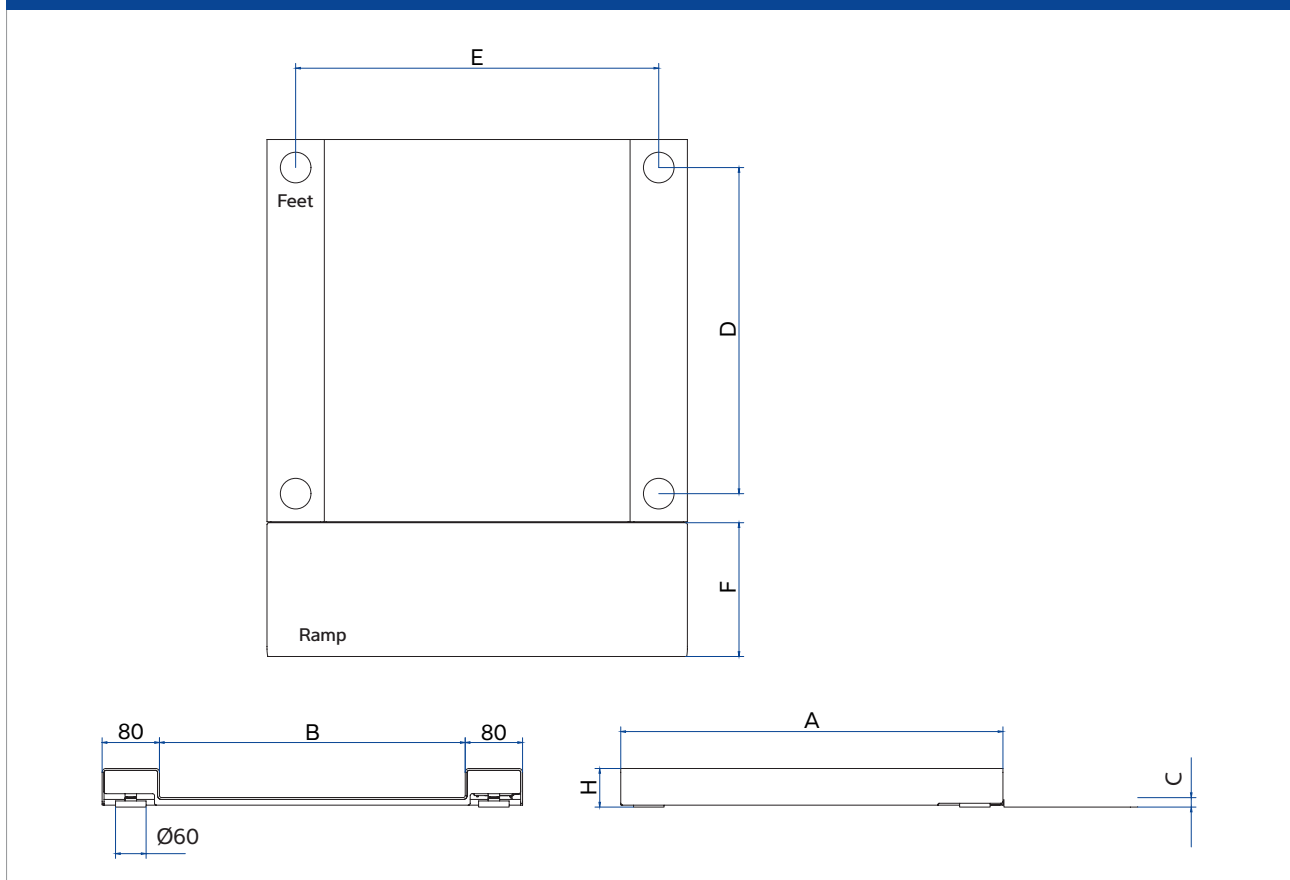
Size code	Dimensions (A x B in mm)	Net weight (incl. 1 ramp) in kg	Gross weight (with palette) in kg	Weight of the ramp in kg	Packaging		
					Length in mm	Width in mm	Height in mm
II	800 x 800	102	112	20.5	1,050	1,050	300
LL	1,000 x 1,000	135	147	25.5	1,300	1,300	300
NN	1,250 x 1,250	181	196	31.5	1,600	1,600	300
RN	1,500 x 1,250	224	241	37.5	1,600	1,600	300
RR	1,500 x 1,500	250	270	37.5	1,700	1,700	300

Weight and packaging data IFEP...

Size code	Dimensions (A x B in mm)	Net weight (incl. 1 ramp) in kg	Gross weight (with palette) in kg	Weight of the ramp in kg	Packaging Length in mm	Width in mm	Height in mm
II	800 x 800	100	112	20.5	1,050	1,050	300
LL	1,000 x 1,000	143	147	25.5	1,300	1,300	300
NN	1,250 x 1,250	178	196	31.5	1,600	1,600	300
RN	1,500 x 1,250	220	241	37.5	1,600	1,600	300
RR	1,500 x 1,500	245	270	37.5	1,700	1,700	300

Technical diagrams

Flatbed scale IFE...



Platform dimensions flatbed scale IFE...

Size code	II	LL	NN	RN	RR
A (mm)	800	1,000	1,250	1,500	1,500
B (mm)	800	1,000	1,250	1,250	1,500
C (mm)	46	46	46	46	46
E (mm)	880	1,080	1,330	1,330	1,580
D (mm)	735	935	1,185	1,435	1,435
H (mm)	97	97	97	97	97
F (mm)	500	500	500	500	500

Accessories

Drive on ramps	
Description	Order code
Drive on ramp, painted, 800 x 500	YDR01-P
Drive on ramp, painted, 1,000 x 500	YDR02-P
Drive on ramp, painted, 1,250 x 500	YDR03-P
Drive on ramp, painted, 1,500 x 500	YDR04-P
Drive on ramp, stainless steel AISI304, 800 x 500	YDR01-S
Drive on ramp, stainless steel AISI304, 1,000 x 500	YDR02-S
Drive on ramp, stainless steel AISI304, 1,250 x 500	YDR03-S
Drive on ramp, stainless steel AISI304, 1,500 x 500	YDR04-S

Ordering information

Ordering system legend for flatbed scale IFE...							
Product range	Material/Version	Number of load cells		Weighing range (kg)	Weighing platform size		Display resolution
IFE	P	4	-	150	II	-	BCE
	S			300	LL		
				600	NN		
				1,500	RN		
					RR		

Example order code: IFES4-1500NN-BCE

Versions	
P	Painted
S	Stainless steel
-BCE	legal-for-trade 3.000e

The products and solutions presented in this data sheet make major contributions in the following sectors:



The technical data given serves as a product description only and should not be understood as guaranteed properties in the legal sense.

Specifications subject to change without notice.
Rev. 03/2023

Minebea Intec Bovenden GmbH & Co. KG
Leinetal 2
37120 Bovenden, Germany
Phone +49.551.309.83.0
sales.industry@minebea-intec.com
www.minebea-intec.com