



# PMA HD

When every drop counts

Simplifying Progress

SARTORIUS

# High Precision Paint Mixing

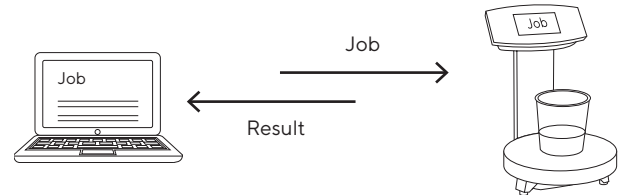
The PMA HD is the ideal solution for Painters and shops where higher accuracy for smaller amounts is needed.

With a high 10 mg resolution, the Ex Zone 1|Class I, Div. 1 approval and the ability to connect to your color software, the PMA HD provides the ideal specifications for fast and effective results in your color development lab.

The ergonomic design uses a smaller footprint, saving space, and the superior display and versatile power options make the PMA HD the ideal solution for your mobile repairs.

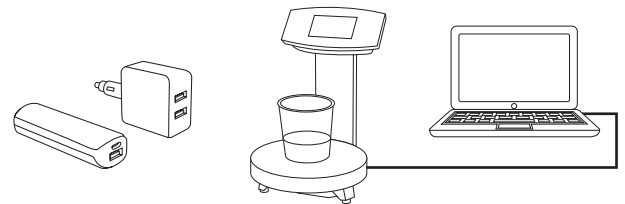
## Internal Mixing Module

Integrated mixing module for PC-independent formulation processing



## Integrated Applications

- Recalculation functionality in case of over-pouring a component
- Factor calculation to adapt a recipe to any desired can size
- The scale can be calibrated externally with 1 kg or 2 kg



## Easy and Fast Installation

- Unique one-cable solution for power and data via USB cable
- USB driver is Microsoft® certified for "plug & play" installation
- Stand-alone power setup

- Enhanced Safety Mechanisms
- Compliance with International Regulations
- Exclusive PMA Management Software



SARTORIUS

F

>O/T<

↔

Max 2200 g

d=0.01g

0.00 g

⏻

C

^

v

OK

Ex

PMA D

3:1

4:1

5:1

000  
002  
004  
006  
008  
010  
012  
014  
016  
018  
020  
022  
024  
026  
028  
030  
032  
034  
036  
038  
040  
042  
044  
046  
048  
050  
052  
054  
056  
058  
060  
062  
064  
066  
068  
070  
072  
074  
076  
078  
080  
082  
084  
086  
088  
090  
092  
094  
096  
098  
100  
102  
104  
106  
108  
110  
112  
114  
116  
118  
120  
122  
124  
126  
128  
130  
132  
134  
136  
138  
140  
142  
144  
146  
148  
150  
152  
154  
156  
158  
160  
162  
164  
166  
168  
170  
172  
174  
176  
178  
180  
182  
184  
186  
188  
190  
192  
194  
196  
198  
200  
202  
204  
206  
208  
210  
212  
214  
216  
218  
220  
222  
224  
226  
228  
230  
232  
234  
236  
238  
240  
242  
244  
246  
248  
250  
252  
254  
256  
258  
260  
262  
264  
266  
268  
270  
272  
274  
276  
278  
280  
282  
284  
286  
288  
290  
292  
294  
296  
298  
300

## Clean Work Environment

- Plane, solvent-resistant glass display and stainless steel weighing pan for easy cleaning



- Spillage-protected interface at the back of the head



- In-use covers for display to prevent stains



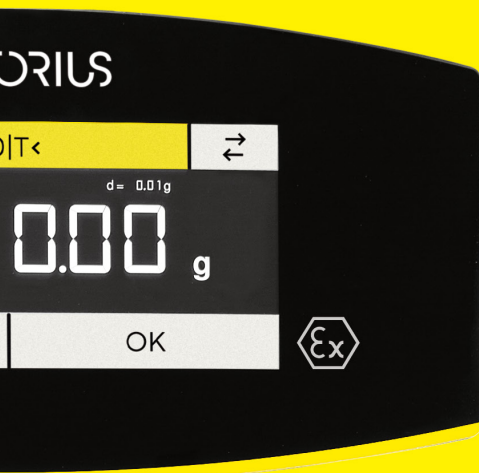
## New High-Contrast Display

- Wide viewing angle and perfect readability, even from a distance

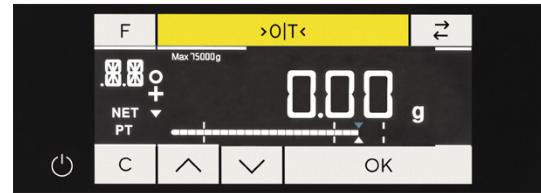


- Sensor touch with visual feedback





- Bargraph with zoom functionality as dosing assistance | capacity indicator



## Extended Features

### Prevention of Unauthorized Usage

- Instant lock function: activated manually by pressing the lock symbol
- Communication lock function: automatic display lock if there is no ongoing communication between scale and PC

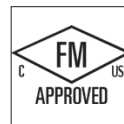


- Theft protection with fixation point on the back



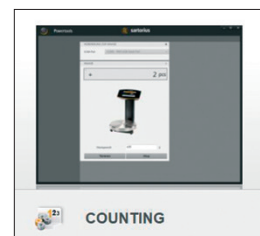
### Compliance with International Regulations

- Accordance with legal regulations
- Certified as explosion proof



### Exclusive PMA Management Software

- Scale settings easily adjustable with intuitive menu
- Intro text for individualized scale messages (e.g. branding)
- Basic counting application, e.g. for inventory control



# Functional Accessories

Keep your PMA HD working like new for the longest time: with covers to protect your scale from paint stains and weights to recalibrate it. See what other useful accessories might be convenient for you.

## In-Use covers

In-use cover for display (set of 10)	YDC03PMA10
In-use cover for column (set of 10)	YDC04PMA-CO10
In-use cover for weighing pan (set of 10)	YDC04PMA-WP10



## Cables

Link cable to Ex-link converter, length 10 m (32.8 ft.)	YCC01-0052M10
Link cable to Ex-link converter, length 20 m (65.6 ft.)	YCC01-0052M20
Link cable to Ex-link converter, length 30 m (98.4 ft.)	YCC01-0052M30
Grounding cable, 2 m (6.5 ft.)	YCC01-X046M2
USB cable, length 3 m (9.8 ft.)	YCC01-0040M3



## Power supply

USB power plug 5.2 VDC   1400 mA	YEPS01-USB
AC-adaptor set (US, EU, UK)	YEPS01-PS1
AC- adapter set (AU, ZA, BR, AR)	YEPS01-PS6
AC- adapter set (IN, KR, CN)	YEPS01-PS7



## Calibration weights

External calibration weight 1 kg (class F1)	YCW613-AC-00
External calibration weight 1 kg (class F1) with DAKKS certificate	YCW613-AC-02
External calibration weight 2 kg (class F1)	YCW623-AC-00
External calibration weight 2 kg (class F1) with DAKKS certificate	YCW623-AC-02



# Technical Data

## Metrological data

Capacity	2200 g
Readability	0.01 g
Tare range (subtractive)	-2200 g
Allowable operating temperature	5 ... 40 °C (41 ... 104°F)
External calibration weight	1 or 2 kg (class F1 or better)

## Dimensions | Weight

Weighing pan (Ø)	180 mm
Housing (W × D × H)	212 × 294 × 261 mm
Net weight	approx. 2.1 kg

## Power supply

Power supply	via USB 2.0 or higher or power plug YEPS01-USB
Input voltage   power consumption	5 VDC   2 W
Ex-link converter (Ex zone 1 scale only)	Energy limiting unit included

## Approval Ex zone 1 | Class I, Div. 1

IECEX	Ex ib IIB T4 Gb
ATEX	II 2G Ex ib IIB T4 Gb
FM (USA)	IS CL I, DIV 1, GP C, D T4; CL I, Zone 1, AEx ib IIB T4
FM (CAN)	Ex ia CL I, DIV 1, GP C, D T4; Zone 1, Ex ib IIB T4

## IP protection

Dust and water protection rating in accordance to EN 60529   IEC 60529	IP40
--	------

## Communication

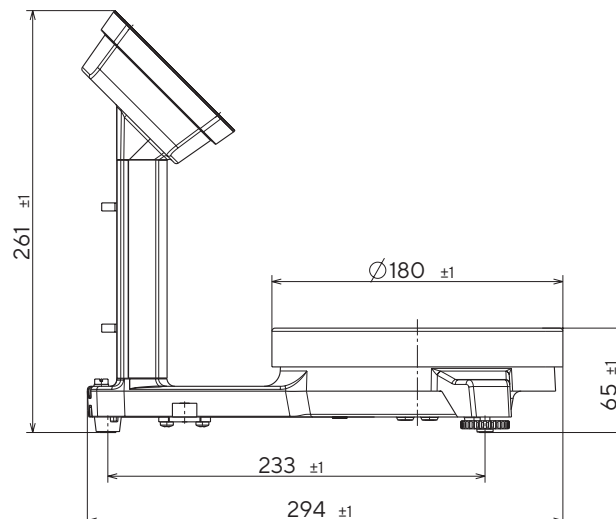
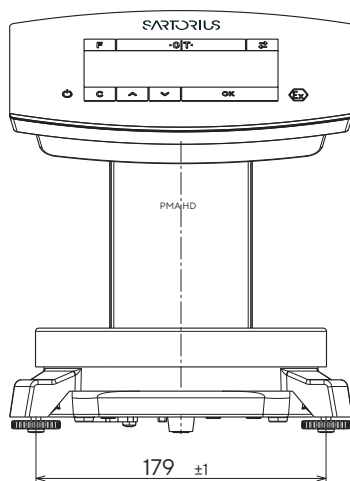
Data output	USB   Type B
Protocol	Sartorius SBI   XBPI
Format	7-bit ASCII, 1 Start-bit, 1 or 2 Stop-Bits
Parity	Even, odd, no parity
Transmission rates	1200 to 57,600 Bit/s
Handshake mode	Software, Hardware or None

## Internal application

- Integrated mixing module for one job
- Recalculation (correction of over-pours)
- Calculation by factor (0.25 – 5.0)
- Stand-alone recipe processing (absolute, additive)
- Readability switchable to 0.1 g
- Hardware test and communication symbol

## User interface

- High contrast display
- Sensor touch
- Bargraph as dosing assistance or capacity indicator
- Text menu in 12 languages




**Germany**

Sartorius Lab Instruments GmbH & Co. KG  
Otto-Brenner-Strasse 20  
37079 Goettingen  
Phone +49 551 308 0

**USA**

Sartorius Corporation  
565 Johnson Avenue  
Bohemia, NY 11716  
Phone +1 631 254 4249  
Toll-free +1 800 635 2906

 For further contacts, visit  
[www.sartorius.com](http://www.sartorius.com)